

SPECIFICATIONS

| | |
|-----------------------|--|
| Electrical Ratings | 50mA @ 50VDC |
| Electrical Life | 100,000 cycles typical |
| Contact Resistance | < 50 mΩ initial |
| Actuation Force | 100 +/- 50gF 160 +/- 50gF 260 +/- 50gF |
| Actuator Travel | .25 +/- .1mm |
| Dielectric Strength | 250Vrms min |
| Insulation Resistance | > 100MΩ min |
| Operating Temperature | -40°C to 85°C |
| Storage Temperature | -40°C to 85°C |



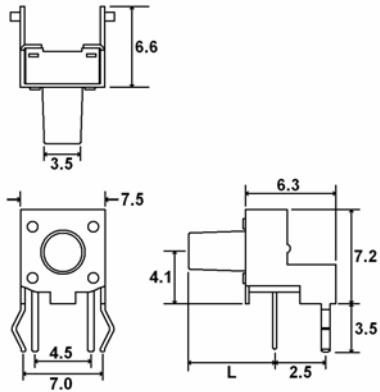
MATERIALS ←RoHS COMPLIANT

| | |
|-----------|--------------------------------|
| Actuator | 6/6 Nylon |
| Housing | 6/6 Nylon |
| Cover | Steel, Tin Plated |
| Contacts | Phosphor Bronze, Silver Plated |
| Terminals | Brass, Silver Plated |

ORDERING INFORMATION

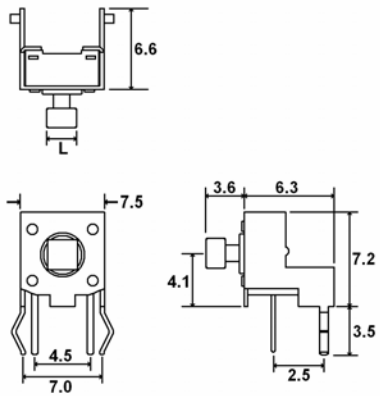
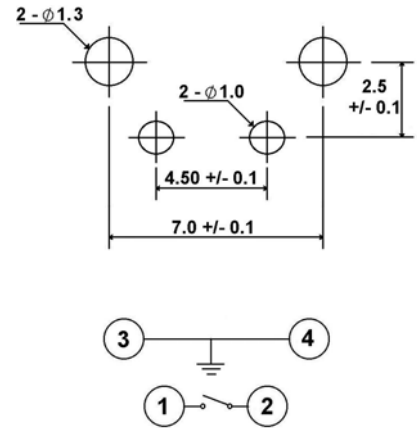
| | | | |
|-------------------------------------|---|--------------|-------------|
| 1. Series: | CT1102V | 10.35 | F100 |
| CT1102V | | | |
| 2. Actuator Length "L" (mm): | | | |
| 3.15 | | | |
| 3.85 | | | |
| 5.85 | | | |
| 6.35 | | | |
| 6.85 | | | |
| 8.35 | | | |
| 9.85 | | | |
| 10.35 | | | |
| 10.85 | | | |
| 11.85 | | | |
| 13.35 | | | |
| 13.85 | | | |
| 15.85 | | | |
| S2.4 Square actuator head | | | |
| S2.8 Square actuator head | | | |
| 3. Actuation Force: | | | |
| F100 = 100gF | | | |
| F160 = 160gF | | | |
| F260 = 260gF | | | |
| 4. Cap Options: | Cap Colors: | | |
| Blank = No Cap | | | |
| C01 | ** See Cap Options for color availability | | |
| C02 | ** Caps available with S2.8 actuator only | | |
| C03 | | | |
| C04 | | | |
| C05 | | | |

DIMENSIONS

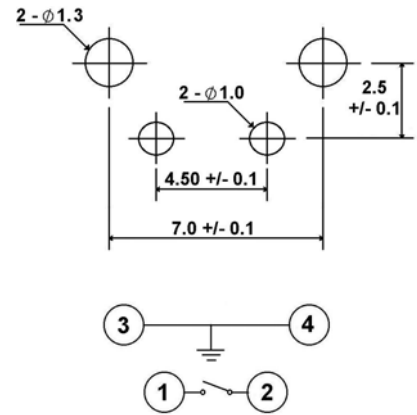


| Part Number | "L" (mm) |
|--------------|----------|
| CT1102V3.15 | 3.15 |
| CT1102V3.85 | 3.85 |
| CT1102V5.85 | 5.85 |
| CT1102V6.35 | 6.35 |
| CT1102V6.85 | 6.85 |
| CT1102V8.35 | 8.35 |
| CT1102V9.85 | 9.85 |
| CT1102V10.35 | 10.35 |
| CT1102V11.85 | 11.85 |
| CT1102V13.35 | 13.35 |
| CT1102V13.85 | 13.85 |
| CT1102V15.85 | 15.85 |

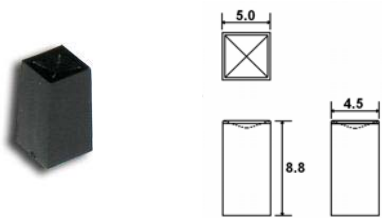
SCHEMATIC & PC LAYOUT



| Part Number | "L" (mm) |
|-------------|----------|
| CT1102VS2.4 | 2.5 |
| CT1102VS2.8 | 2.8 |

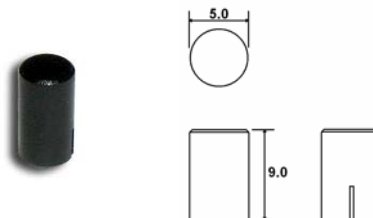


CAP OPTIONS



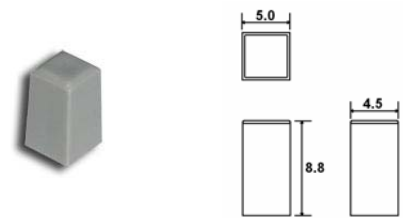
C01_

1 = White, 2 = Black, 3 = Red, 9 = Light Gray
Contact Factory for other available colors



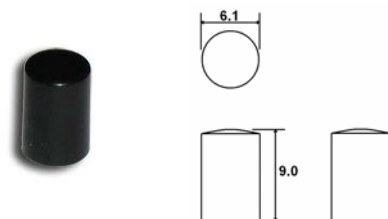
C02_

1 = White, 2 = Black, 3 = Red, 9 = Light Gray
Contact Factory for other available colors



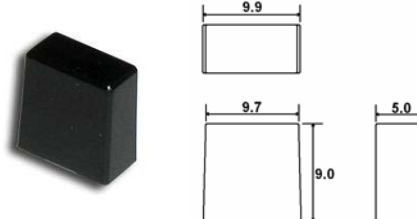
C03_

1 = White, 2 = Black, 3 = Red, 9 = Light Gray
Contact Factory for other available colors



C04_

1 = White, 2 = Black, 3 = Red, 9 = Light Gray
Contact Factory for other available colors



C05_

1 = White, 2 = Black, 3 = Red, 9 = Light Gray
Contact Factory for other available colors